

TX3141E-W

Wireless Manual Call Point
Installation and Operation Manual



Product Safety

To prevent severe injury and loss of life or property, read the instruction carefully before installing the detector to ensure proper and safe operation of the system.



European Union directive

2012/19/EU (WEEE directive): Products marked with this symbol cannot be disposed of as unsorted municipal waste in the European Union. For proper recycling, return this product to your local supplier upon the purchase of equivalent new equipment, or dispose of it at designated collection points.



For more information please visit the website at www.recyclethis.info

Table of Content

1 General4

2 Characteristics4

3 Technical Parameters4

4 Structural features and operating principle 4

5 Installation instructions6

6 Usage and Operation 6

 6.1 Registering and networking 6

 6.2 Delete equipment 6

7 Product notes 7

8 Notes for battery safety 7

9 Common fault and troubleshooting 7

1 General

TX3141E (LoRa) is wireless alarm button (hereinafter referred to as manual call point). When fire is manually confirmed, press the wireless alarm button and send alarm signal to fire alarm controller. Built-in wireless communication component is stable and reliable, which can network with fire alarm controller. This product is applicable to houses, hotels and apartments etc.

2 Characteristics

1. Software/hardware multistage filter increases anti-interference ability of wireless alarm button and has good inhibiting ability for electromagnetic interference.
2. It has battery under-voltage reminding function.
3. LoRa wireless communication technology is used, without wiring.
4. Only ID is built in, and connected with fire alarm controller network.
5. PCB is fully sealed.

3 Technical Parameters

Operating voltage: DC3.0V (two batteries, 1.5V FR14505/AA)

Operating current:

Monitoring current: <40uA

Alarm current: <30mA

Wireless communication system: LoRa

Wireless communication frequency: 470-510MHz

Wireless transmitting power: <17dBm

Maximum communication distance: 1000m in open air

Wireless alarm button status indicator light:

Normal monitoring state: green indicator light flashes once every 75s

Fault status: yellow indicator light flashes once every 50s

Alarm status: red indicator light is normally on

Operating environment: temperature -10 °C ~ +55 °C , relative humidity ≤ 95%RH, without condensation

Color: red

Weight: about 113g (with battery)

Outline dimension: 87mm×85mm×30mm(including base)

Standard: GA 1151-2014 General requirements for wireless communication function of fire alarm system

GB 22370-2008 Fire alarm and safety system for household

4 Structural features and operating principle

4.1 Outline dimension of wireless alarm button as shown in Fig. 1 (unit : mm):

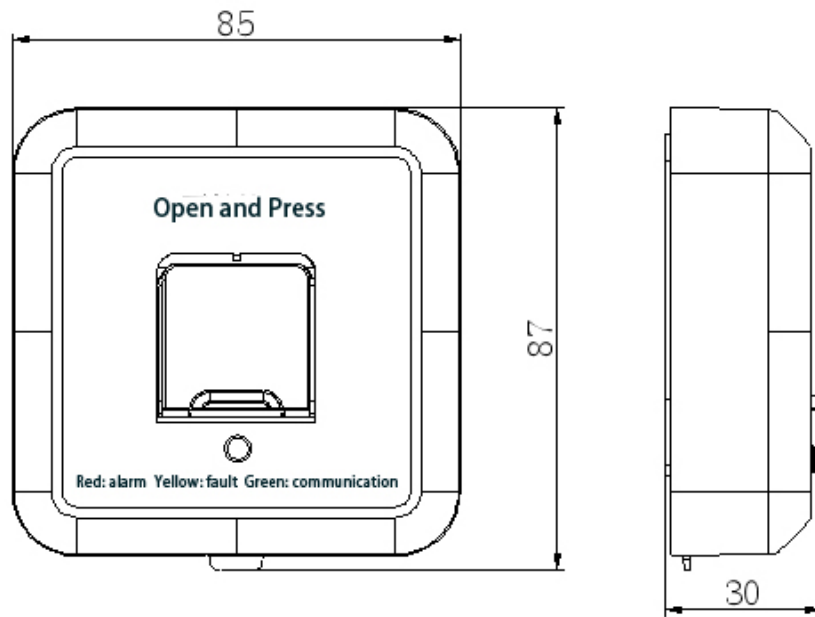


Fig 1 Outline diagram for wireless manual call point

4.2 Wireless alarm button base dimension diagram, as shown in Fig. 2 (unit: mm)

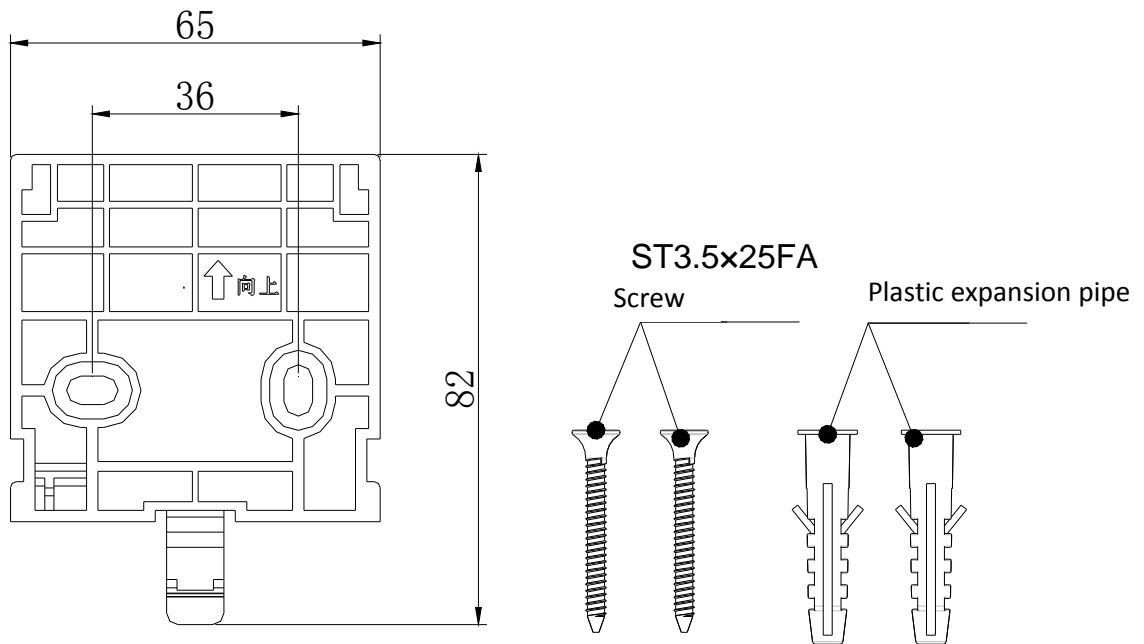


Fig. 2 wireless alarm button base and fixed accessories

4.3 Operating principle

This product mainly adopts pressing alarm type. Press alarm switch to send alarm signals. At the same time, red indicator light is normally on, and alarm information is transmitted to fire alarm controller by wireless transmitting module so that fire alarm is informed earlier.

5 Installation instructions

1. Appropriate installation position:

① TX6934 handheld equipment is used to detect network signal. Wireless alarm button is installed where network signal is best.

② Wireless alarm button shall be installed where it is obvious and easy for operation. When it is installed on the wall, the bottom shall be 1.3~1.5m from the floor. Wireless alarm button shall be installed reliably and not inclined.

2. Installation position avoided: places where the temperature is lower than minus 10°C and higher than 55°C or relative temperature is >95%RH.

3. Installation diagram of wireless alarm button as shown in 3: wireless alarm button base is fixed on the wall by plastic expansion pipe and 3.5×25FA screws. Installation hole spacing is as shown in Fig.

2. Push two AA batteries into battery case of wireless alarm button and install it on the base. If it is abnormal, check if the battery is correctly installed or the voltage is low. After the battery is installed, wireless alarm button is placed in the base and fastened.

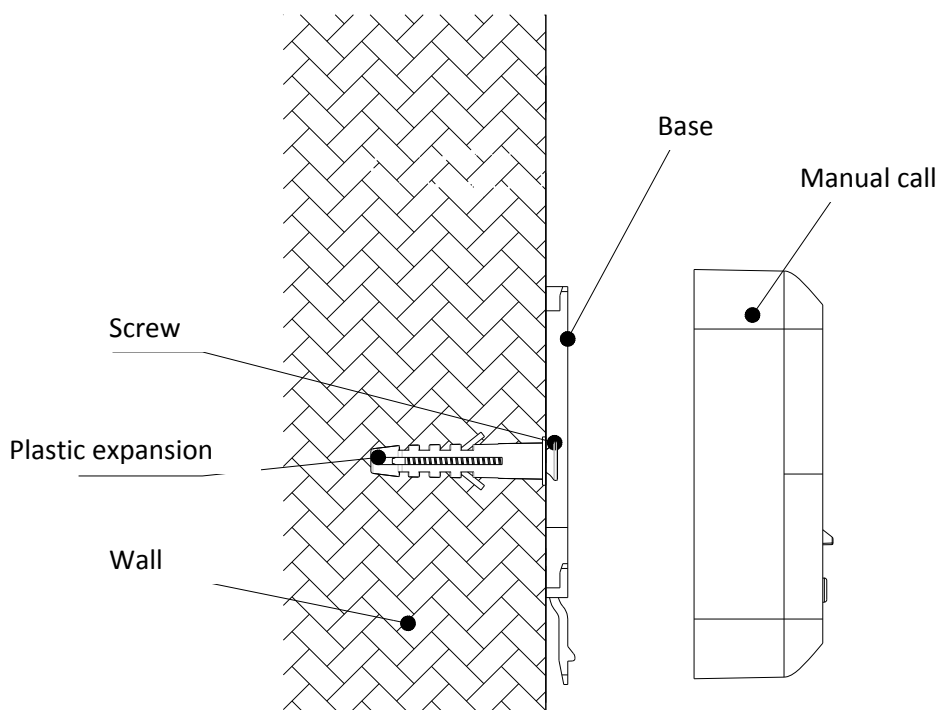


Fig.3 installation diagram of wireless alarm button

6 Usage and Operation

6.1 Registering and networking

LoRa configuration software is used to add and input wireless alarm button ID for registering and networking. Power on wireless alarm button, observe indicator light status; after yellow indicator light is on for 8s, it means networking is successful. In LoRa configuration software registering column, successful networking of wireless alarm button can be indicated.

6.2 Delete equipment

On LoRa configuration software, delete equipment start checkbox, click "Issue" and delete wireless alarm button from wireless transmitting module.

m must be repaired and/or replaced immediately as they fail.

7 Product notes

1. Wireless signals for wireless alarm button and household fire alarm controller will be affected by external environment, such as wall obstruction and absorption, other wireless signal interference etc;
2. Test wireless alarm button periodically; if any fault is found, make maintenance in time;
3. When the house is decorated and painted, please remove wireless alarm button to avoid from being polluted by dust;
4. In the environment with high temperature, high humidity, and weak signals, service life of the battery will be shortened;
5. If any fault occurs, please do not remove wireless alarm button without permission. The user can inform our company or local office of our company, we will make troubleshooting in time;
6. When replacing the battery, please throw the old battery into the dustbin for recycling batteries.

8 Notes for battery safety

1. The battery used for this product is not rechargeable. It is forbidden to recharge or short the battery;
2. It is forbidden to over-discharge, squeeze or burn the battery;
3. It is forbidden to use seriously damaged or deformed battery;
4. It is forbidden to use or heat the battery beyond allowed temperature range;
5. The user is forbidden to remove the battery voluntarily;
6. It is forbidden to weld the battery surface directly;
7. When replacing the battery, please use special battery from original factory or other batteries of the same specification. Otherwise, it may lead to fire or explosion.

9 Common fault and troubleshooting

Problem	Troubleshooting
Short press for "anti-falling key", green indicator light does not flash	Check if the battery is installed correctly
Yellow indicator light flashes once every 50S	Please check what fault is displayed on the controller. If the battery under-voltage is indicated, replace with a new battery. When communication fault is indicated, check if wireless alarm button separates from the base; if not, check if installation position of wireless alarm button is far away from the household controller.